

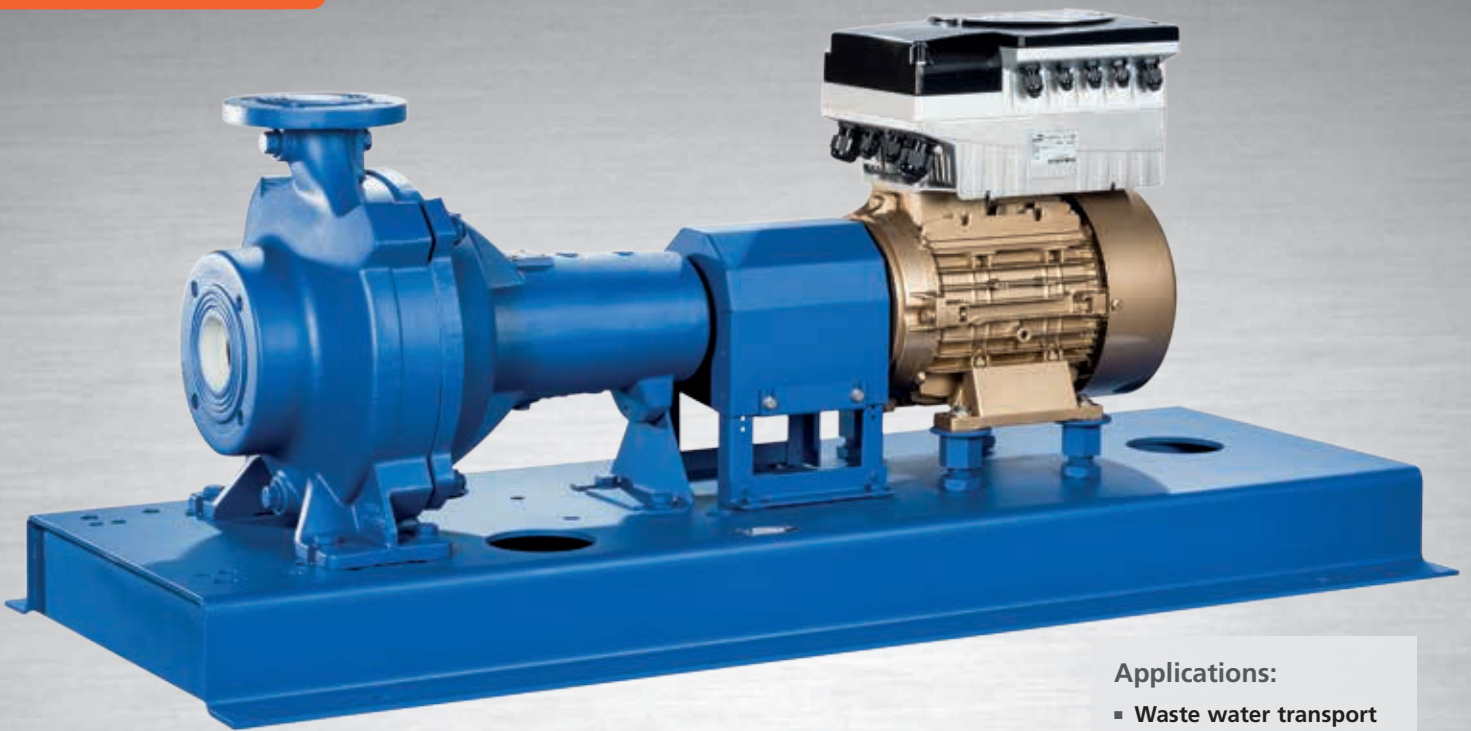
► Our technology. Your success.

Pumps • Valves • Service



## Sewatec/Sewabloc – Waste Water Pumps with Next Generation Impellers

New impellers  
F-max, E-max, K-max



### Applications:

- Waste water transport
- Waste water treatment
- Sludge treatment
- Stormwater transport

More information:  
[www.ksb.com/products](http://www.ksb.com/products)



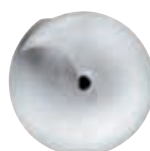
Type F-max



Type E-max



Type K-max



Type D

# Sewatec/Sewabloc – Waste Water Pumps with Next Generation Impellers

## 1 Reliable operation

Non-clogging impellers with large free passages, optimised for every type of waste water

## 2 Energy savings

- Optimised hydraulic system yields high efficiency.
- In combination with the highly efficient KSB SuPremE® motor the operating costs can be markedly reduced

## 3 Dependability

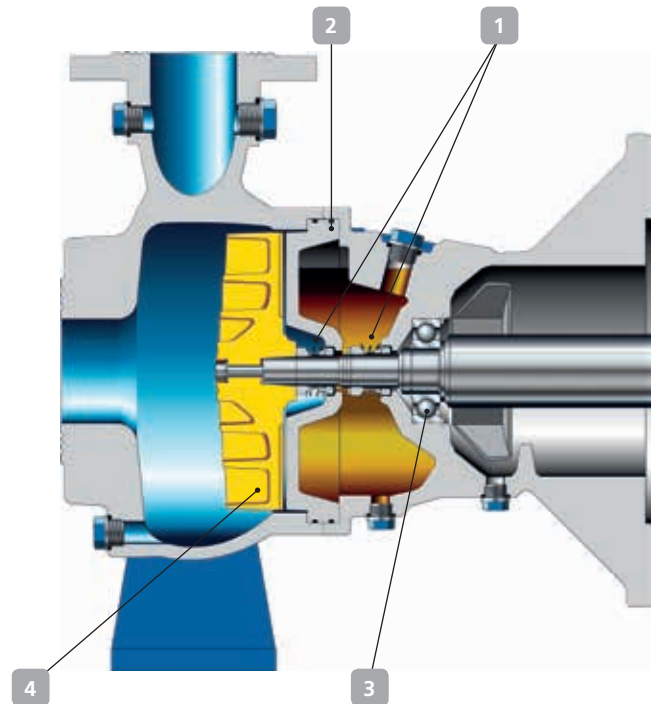
Two bi-directional mechanical seals with oil reservoir

## 4 Cost efficiency

- Maintenance reduced by rolling element bearings up to S04 grease-packed for life and higher than S04 regreasable
- Optimised spare parts inventories: Standardised components are interchangeable within this type series and with the submersible motor pumps of the Amarex KRT type series

## Flexibility

- Various installation types to suit different site conditions
- Easy to install and remove with maintenance skid for Sewabloc



### Technical data

Sizes	Up to DN 700
Capacity	Up to 2775 l/s
Head	Up to 120 m
Discharge pressure	Up to 10 bar
Temperature	Up to +70 °C

\*The variable speed, magnet-less KSB SuPremE® motor already exceeds the ErP requirements set for 2017 and meets the IE4 efficiency level in line with IEC/CD 60034-30.

### Maintenance skid



### Installation options



KSB Aktiengesellschaft  
 Johann-Klein-Straße 9  
 67227 Frankenthal (Germany)  
[www.ksb.com](http://www.ksb.com)